

WSCV

World Side Car Venture

Improvements for 2012-2013



Improvements for 2012-2013

Improvement of chassis.

1. The surface treatment of chassis is processed first by electrophoresis and subsequently finished by plastic spray.
2. Improved quality of welding.
3. Add the protected ring for important welding.

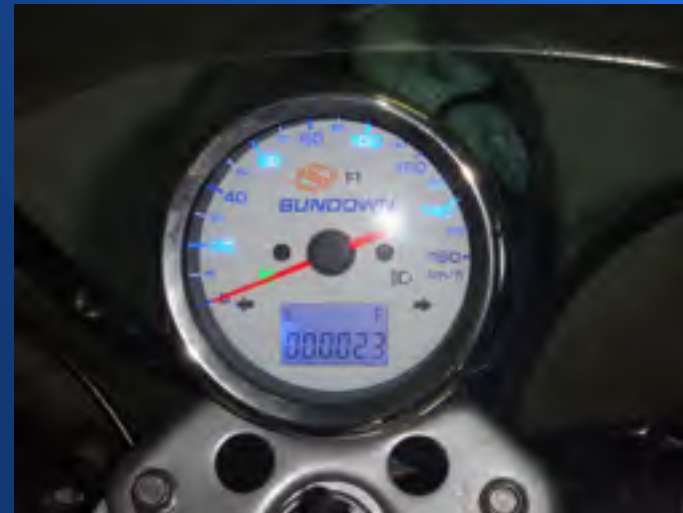


Improvements for 2012-2013



Improvements for 2012-2013

The fuel meter is removed from the tank, and placed in the new digital speedometer; this LED and provides, too, information for turning lights, km/ml, speed and fuel.



Improvements for 2012-2013

All four (4) sidecar moto models are now equipped with a handbrake.



Improvements for 2012-2013

New exhaust pipes for all four (4) models.



Improvements for 2012-2013

New seat, windshield and new motorcycle side covers.



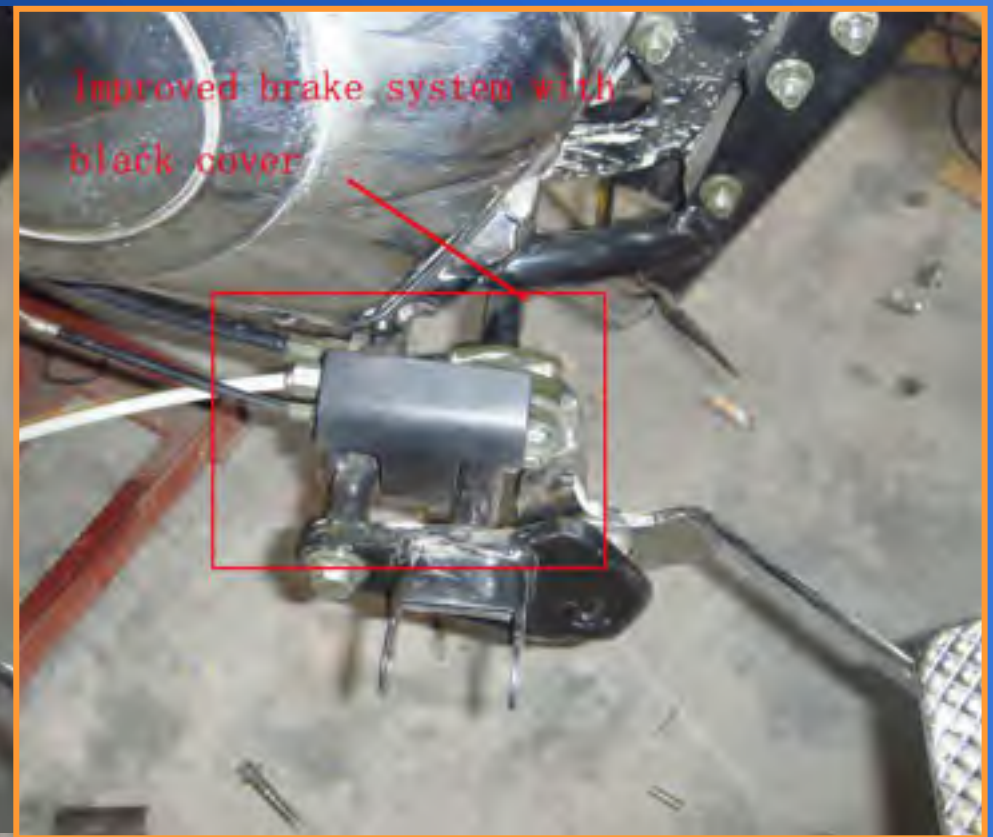
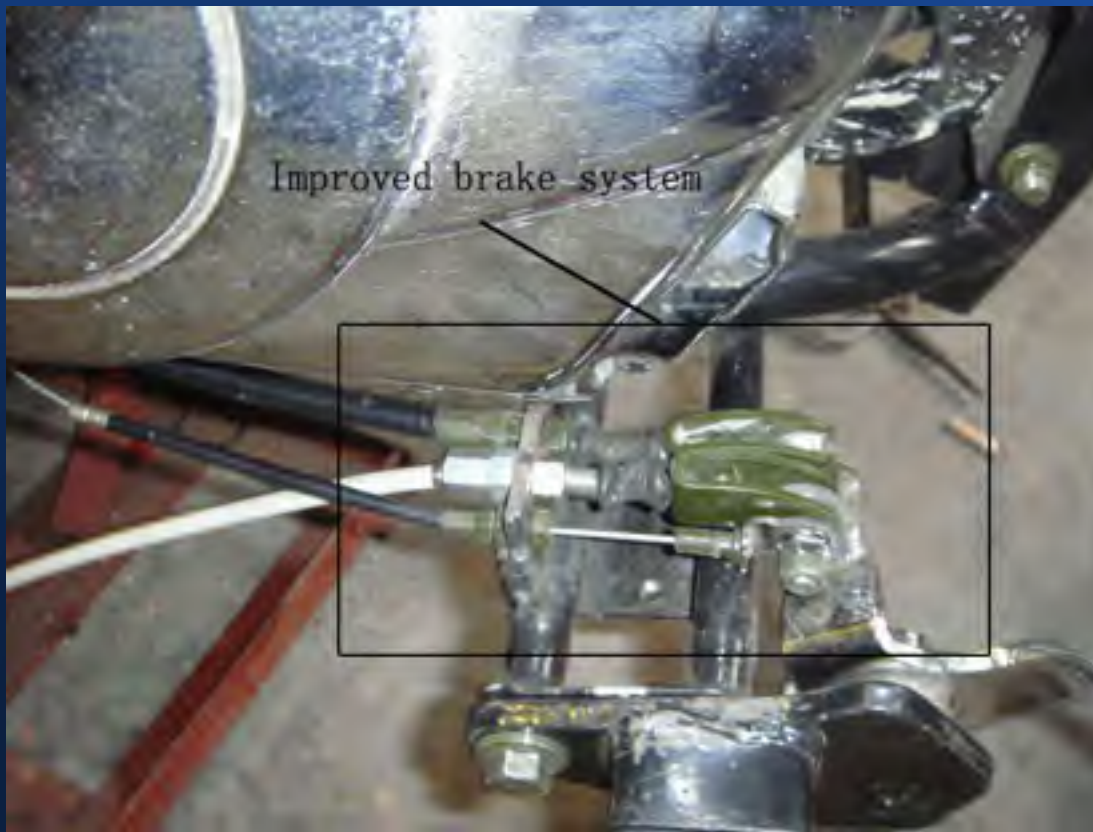
Improvements for 2012-2013

New turning lights and taillight for the sidecar.



Improvements for 2012-2013

New footbrake pedal for motorcycle rear brake and sidecar's brake



Improvements for 2012-2013



New rim for the sidecar wheel



Improvements for 2012-2013



New rim for the sidecar wheel

Improvements for 2012-2013



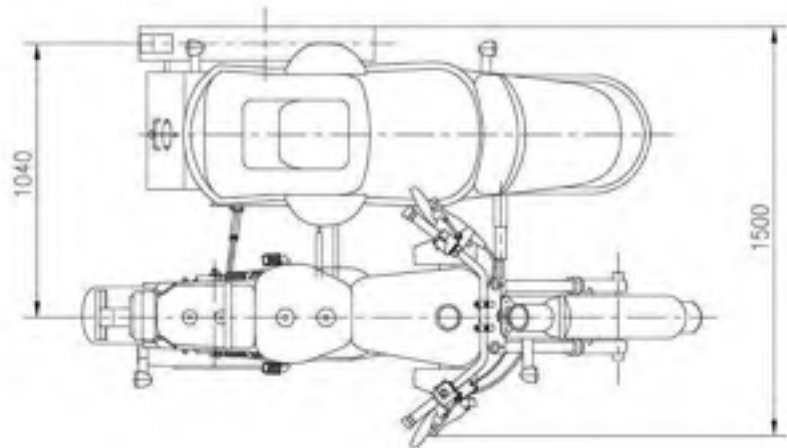
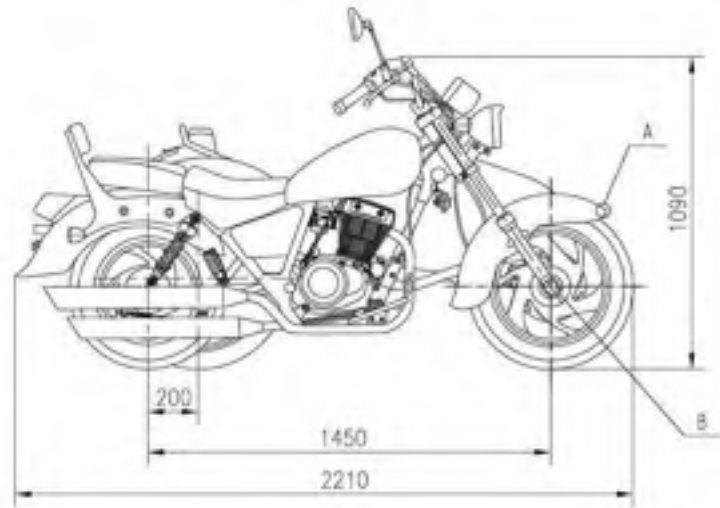
Handbrake Balance
End

Improvements for 2012-2013

Several screws are now made of stainless steel to avoid problems of oxidation and rusting.



Improvements for 2012-2013



Legal left hand version
for the UK, Cyprus, etc
(included in the EC-
Type Approval)

Improvements for 2012-2013

Other Improvements:

- ❖ New improved front and rear suspension
- ❖ New 125cc Model

